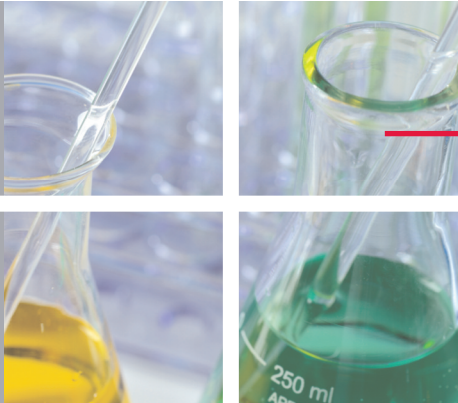


# ZinKlad™ 72

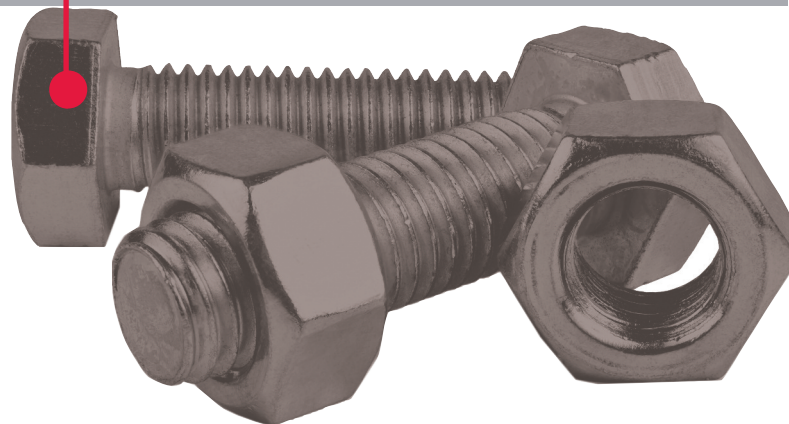
Consistency In Phosphate Coatings



## ZinKlad 72 – High Performance and Consistency for Phosphated Fasteners

Combines the proven quality of the **KeyKote** product range with the ZinKlad approach to quality management for surface finishing lines.

ZinKlad 72 covers light/heavy weight zinc as well as manganese phosphate combinations.



**Corrosion Protection** – When the primary requirement is for a no red rust after exposure to 72 hours' neutral salt spray, heavy weight zinc phosphate provides the base coating. If a micro-crystalline phosphate is required, then zinc/calcium phosphate is recommended. These are supplemented by a corrosion inhibitor/ coefficient of friction modifier. Heavy weight is typically within the range of 0.12 – 0.30, micro-crystalline phosphate is within the range 0.08 – 0.16.

**Pre-paint** – Light to medium zinc phosphate coatings provide a corrosion resistant base for organic coatings. Usually calcium modified, the finishes provide excellent adhesion for paint coatings applied.

**Wear Resistance** – Crystalline manganese phosphate with coating weights up to 25g/m<sup>2</sup> absorb oil and other lubricants exceptionally well. They provide exceptional wear resistance in power train and transmission applications.

When you are looking for the highest quality phosphate coatings, backed by the MacDermid Enthone 'know-how' to consistency in surface treatments – *you have to choose ZinKlad 72!*

## KEY FEATURES

- Excellent Resistance to Corrosion Products
- Exceptional Adhesion for Organic Coatings
- Choice of Friction Modifiers
- Global Availability



# ZinKlad™ 72

## Product Choice

**ZinKlad 72** is a flexible approach to achieving the desired phosphate coating.

It is important to choose the right permutation of pre-treatments and phosphate stages to ensure consistency in the desired coating weight and grain size. Our final finishes complement the phosphate coating with increased corrosion resistance and coefficient of friction modification.

The table below outlines the recommended products which combined will deliver coatings for zinc and manganese phosphate specifications from leading automotive companies including BMW, Daimler, FCA, Ford, GM, PSA and Volvo.

### Recommended Processes Used To Create ZinKlad 72 Coatings

<b>Alkaline Cleaners</b>	<b>Remove Oils &amp; Greases</b>
KeyKote 245	Alkaline base for cleaner system
<b>Acid Pickle</b>	<b>Removes Rust &amp; Scale</b>
KeyKote Pickle Aid	Acid base inhibitor or etching system; depending on required mineral acid base
<b>Activators / Conditioners</b>	<b>Refine Phosphate Coating</b>
KeyKote 604	For zinc phosphates
KeyKote 602	For manganese phosphates
<b>Phosphates</b>	<b>Produces the Phosphate Coating</b>
KeyKote 36	Heavy weight zinc phosphate
KeyKote 703 / 750	Heavy weight zinc phosphate ( 750 is nickel-free)
KeyKote 514	Calcium modified, medium weight, nickel-free zinc phosphate
KeyKote 501	Calcium modified, nickel-free, microcrystalline zinc phosphate
KeyKote 701 / 731ZG	Manganese phosphate (731ZG is nickel-free)
<b>Neutralizers / Passivates</b>	<b>Neutralize Acid after Pickling &amp; Passivate after Phosphating</b>
KeyKote Eco Rinse	Inorganic base
KeyKote MBT	Organic base
<b>Final Finishes</b>	<b>Rust Preventative / Friction Modifiers</b>
KeyKote 80	Corrosion inhibitor & rust preventative emulsion
KeyKote 90	Corrosion inhibitor & rust preventative emulsion, meets CoF
KeyKote 168	High performance, corrosion inhibitor & rust preventative emulsion, meets CoF



For more information, please contact us at:

Email: [prodinfo@macdermid.com](mailto:prodinfo@macdermid.com)

[www.macdermid.com/industrial](http://www.macdermid.com/industrial)

It takes more than innovative, high performance products and superior technical service to help our customers compete and win in today's global marketplace. It takes a total commitment to understanding their needs and the ability to provide the right solutions—every time.

When success is your only goal trust, MacDermid Enthone.